

# How To: Dewalt DW715 Single Compound Miter Saw 12" with stand

(Created for RPGA Tiny House Skill Building by Laura Botel)

[DeWalt DW715 Single Compound Miter Saw 12" Manual](#) (online PDF)

## Safety Considerations

- No loose clothing; tie back hair; take off all jewelry/rings & gloves; if wearing clothes with drawstrings, tuck strings in or change clothing
- Work-area should be clean and clear
- Power source - the plug is polarized, do not force the plug into an outlet that it does not fit correctly into

## Definitions

Miter: a cut at an angle other than 90 degrees along the length of the width of the workpiece

Bevel: a cut at an angle other than 90 degrees along the thickness of the material

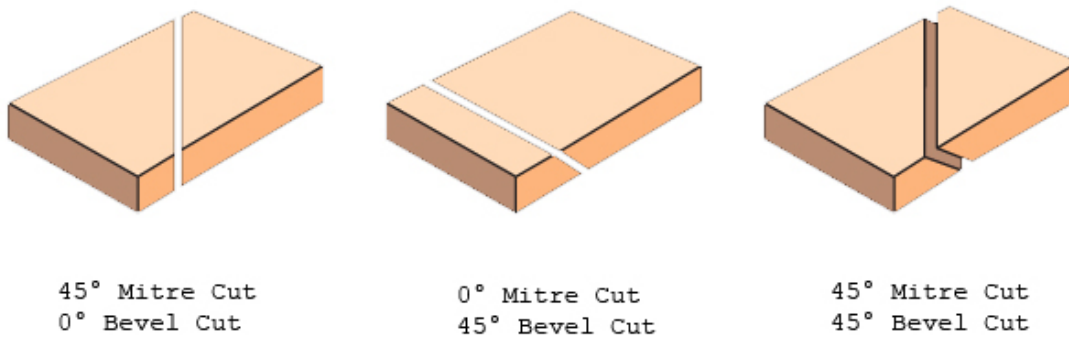
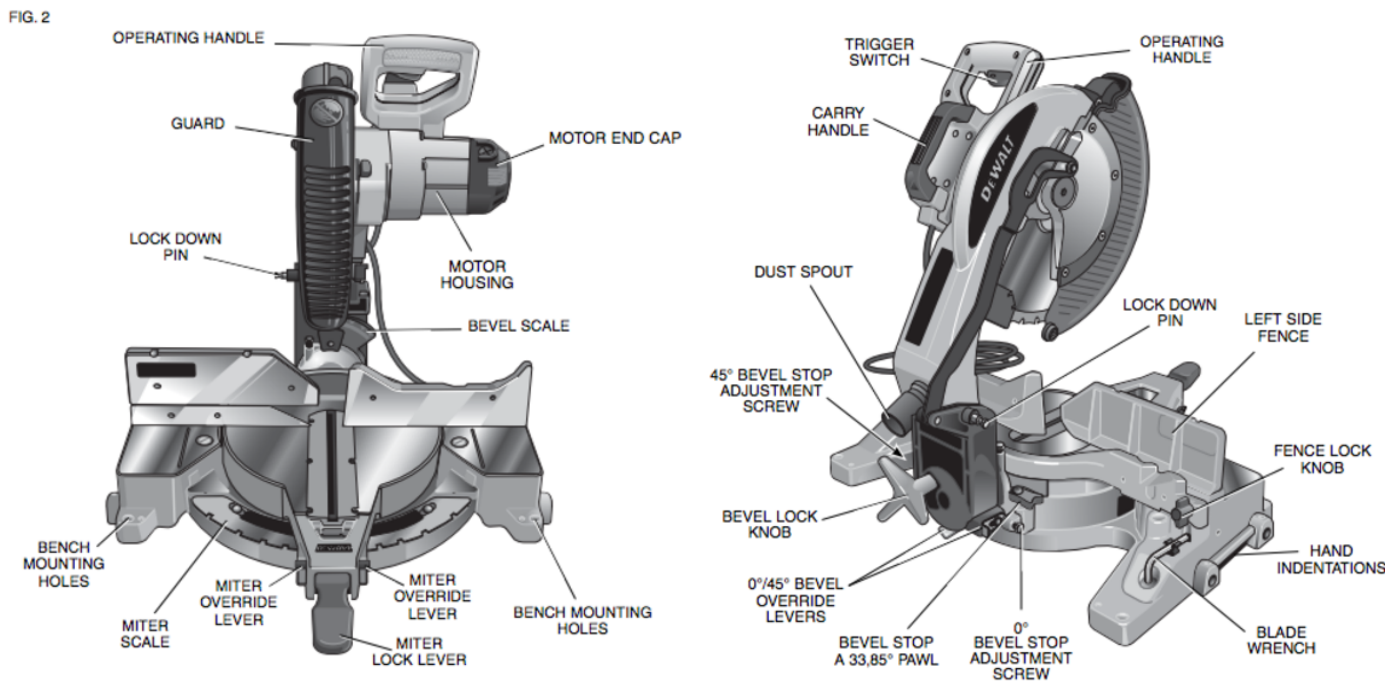


Image credit [www.tooled-up.com](http://www.tooled-up.com)

Compound: means that you can make a miter & bevel cut simultaneously

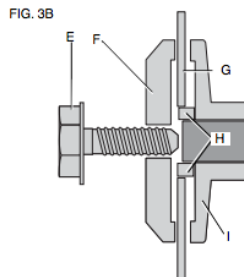
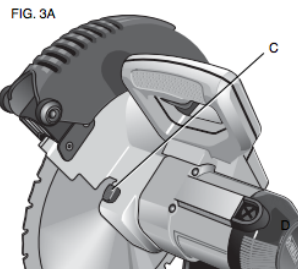
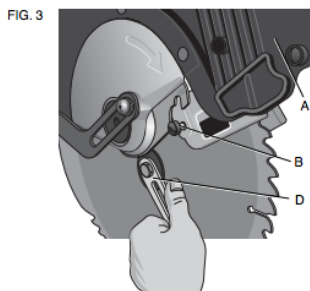


## How To: Dewalt DW715 Single Compound Miter Saw 12" with stand

(Created for RPGA Tiny House Skill Building by Laura Botel)

### Maintaining the saw

- Changing/Removing the Blade (see diagram below)
  - Make sure the saw is **unplugged**.
  - Raise the arm to the upper position and raise the lower guard (A) as far as possible.
  - Loosen, but do not remove guard bracket screw (B) until the bracket can be raised far enough to access the blade screw. Lower guard will remain raised due to the position of the guard bracket screw.
  - Depress the spindle lock button (C) while carefully rotating the saw blade by hand until the lock engages.
  - Keeping the button depressed, use the other hand and the wrench provided (D) to loosen the blade screw. (Turn clockwise, left-hand threads.)
  - Remove the blade screw (E), outer blade clamp (F), and blade (G). The 1" (25.4 mm) blade adapter (H), if used, and the inner blade clamp (I), may be left on the spindle. NOTE: For blades with a blade hole of 5/8" (15.88 mm), the 1" (25.4 mm) blade adapter is not used.



- Install a new blade
  - Unplug the saw.
  - With the arm raised, the lower guard held open and the guard bracket, place the blade on the spindle, onto the blade adapter [if using a blade with a 1" (25.4 mm) diameter blade hole] and against the inner blade clamp with the teeth at the bottom of the blade pointing toward the back of the saw.
  - Assemble the outer blade clamp onto the spindle.
  - Install the blade screw and, engaging the spindle lock, tighten the screw firmly with wrench provided. (Turn counterclockwise, left-hand threads.) NOTE: When using blades with a 5/8" (15.88 mm) diameter blade hole, the blade adapter will not be used and should be stored in a safe place for future use.
  - Return the guard bracket to its original position and firmly tighten the guard bracket screw to hold bracket in place.

## How To: Dewalt DW715 Single Compound Miter Saw 12" with stand

(Created for RPGA Tiny House Skill Building by Laura Botel)

### Using the Saw

- Safety Considerations
  - Tie back hair; take off jewelry, loose clothings, strings, etc.
  - Safety glasses
  - Well lit & clean area
- Setting up Miter Cuts
  - Power off
  - Pull up Miter Lock Lever to release, turn the saw and line up to specified angle
  - Push down Miter Lock Lever to lock
- Setting up Bevel Cuts
  - Power off
  - Loosen Bevel Lock Knob, shift saw to specified angle
  - Tighten Bevel Lock Knob
- Securing Material
  - Push wood square to the back of the fence
  - Clamp
  - Hand Placement: THIS IS A RIGHT-HANDED SAW - this means that you power the trigger switch with your right hand and hold the material with your left hand TO THE LEFT SIDE OF THE BLADE.  
**Never put your hand/arm/shoulder across the path of the blade.**
- Cutting Material
  - Ensure the wood is clamped
  - Put left hand on left side of blade and hold wood
  - Pull the blade down to just above the wood
  - Pull the trigger switch with right hand and push blade into material to cut
  - Release the trigger to power down